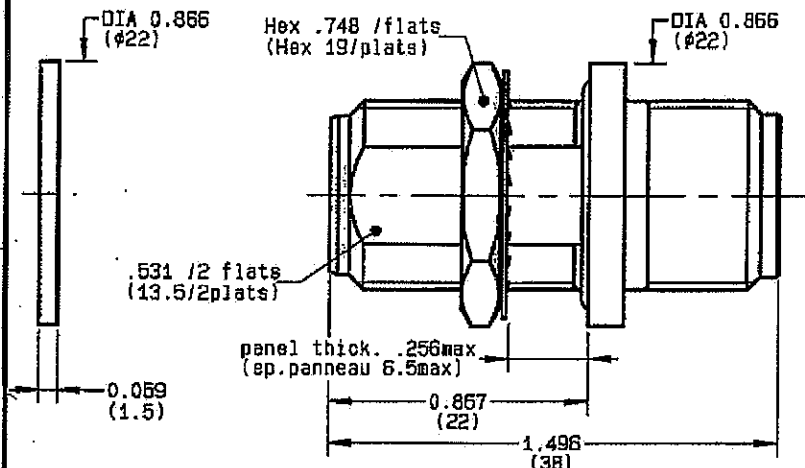


**FEMALE-FEMALE HERMETIC ADAPTER BULKHEAD
MOUNT PANEL SEAL**

R161.753.050
SERIES **N**



PERCEGE PANNEAU
MOUNTING HOLE



	MM		INCH	
	maxi	mini	maxi	mini
A	16.1	16	0.634	0.63
B	13.7	13.6	0.539	0.536

NOMINAL IMPEDANCE	50 Ω
FREQUENCY RANGE	0-11 GHz
TEMPERATURE RATING	-55/+155 °C
V.S.W.R	1.45 + × F(GHz)Maxi
RF INSERTION LOSS	.10 √F(GHz) dB Maxi
VOLTAGE RATING	1400 Veff Maxi
DIELECTRIC WITHSTANDING VOLTAGE	2500 Veff Mini
INSULATION RESISTANCE	5000 MΩMini
HERMETIC SEAL	10-6 Atm.cm ³ /s
LEAKAGE (pressurized only)	NA
MECHANICAL DURABILITY	500 Cycles
WEIGHT	47.7 gr
SPECIFICATION	

CABLES :	
OTHERS CHARACTERISTICS	
CABLE RETENTION	NA N Mini
CENTER CONTACT RETENTION	
Axial force - mating end	27 N Mini
Axial force - opposite end	27 N Mini
Torque	NA cm.N Mini
RECOMMENDED TORQUES	
Mating	NA cm.N
Panel nut	500 cm.N
Clamp nut	NA cm.N

CONNECTOR PARTS	MATERIALS	FINISH (all values are given in micrometers)
BODY	BRASS	BLACK-CHROMIUM 0.2 OVER NICKEL 2
OUTER CONTACT	BRASS	68R 2
CENTER CONTACT	BERYLLIUM COPPER	GOLD 0.5 OVER NICKEL 2
INSULATOR	PTFE+GLASS BEAD	-
GASKET	SILICONE RUBBER	-
OTHERS PIECES	BRASS	BLACK-CHROMIUM 0.2 OVER NICKEL 2

BONDING

ISSUE	CREATION DATE	FILE PART-NUMBER
0803 F00	19-APR-93	



The information given here is subject to change without notice.
Design changes may be in order to improve the product.

Connect to the future